



HITACHI

SERVICE MANUAL

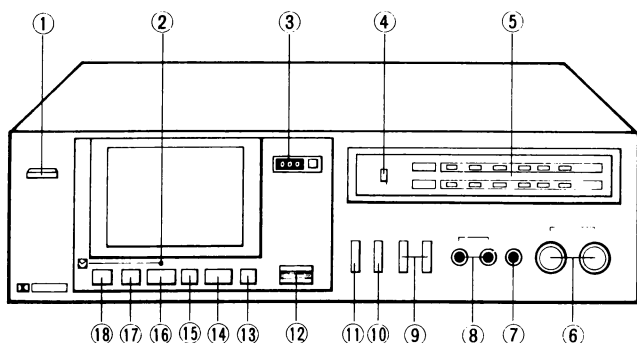
TK

No. 1445E

D-E25

(U, C, FS, BS, AU, W)

Use this manual together with the ML-1 mechanism Technical Information (No.1473).



CONTENTS

Specifications	2
Disassembly	2
Adjustment	3
Inspection of mechanism.....	4
Lubrication.....	4
Schematic diagram	5
Circuit board diagram.....	7
Exploded view(Cabinet).....	10
Replacement parts list	11

KEY TO ILLUSTRATIONS

- | | |
|-----------------------------|-------------------------|
| 1. Power (Mains) switch | 10. Dolby NR switch |
| 2. Playback indicator | 11. REC Mute switch |
| 3. Tape counter | 12. Eject button |
| 4. Recording indicator | 13. Pause button |
| 5. Level indicators | 14. Stop button |
| 6. Recording level controls | 15. Fast forward button |
| 7. Headphone socket | 16. Playback button |
| 8. Microphone sockets | 17. Rewind button |
| 9. Tape select switches | 18. Record button |

SAFETY PRECAUTION

The following precautions should be observed when servicing.

- Since many parts in the unit have special safety related characteristics, always use genuine Hitachi's replacement parts. Especially critical parts in the power circuit block should not be replaced with other makes.
Critical parts are marked with Δ in the schematic diagram and circuit board diagram.
- Before returning a repaired unit to the customer, the service technician must thoroughly test the unit to ascertain that it is completely safe to operate without danger of electrical shock.

SPECIFICATIONS AND PARTS ARE SUBJECT TO CHANGE FOR IMPROVEMENT

STEREO CASSETTE TAPE DECK

December 1980

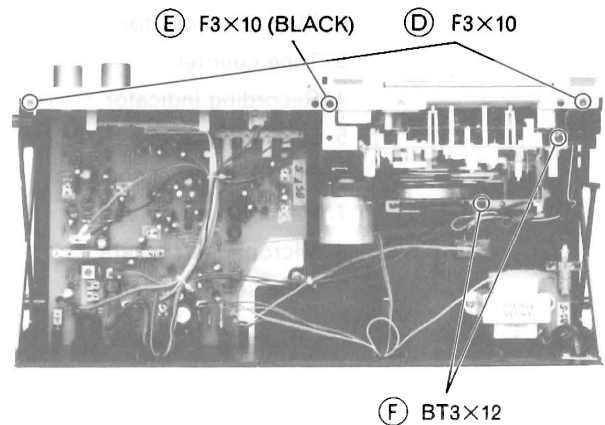
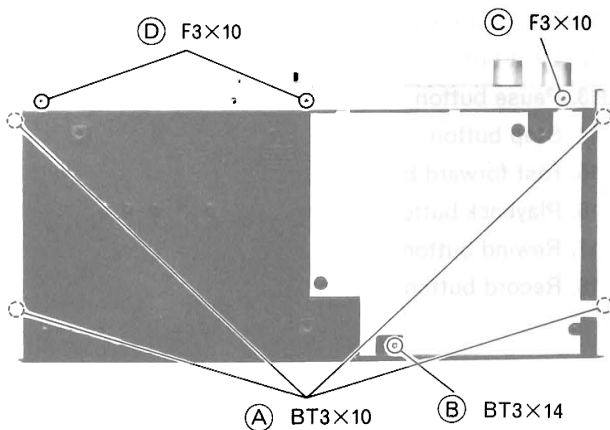
TOKAI WORKS

SPECIFICATIONS

Semi-conductors :		Wow and Flutter :	0.05% (WRMS) 0.17%*
ICs :	3	Input Sensitivity and Impedance :	
Transistors :	17	Microphone :	0.3 mV, 300 ohms ~ 5k ohms
Diodes :	13(U), 14(C)	Line in :	75 mV, 50k ohms or more
	15(FS, BS, AU, W)	DIN (Record/Playback) :	0.35 mV, 3.3k ohms (FS, BS, AU, W)
LEDs :	14	Output Level :	500 mV
Track System :	4 track 2 channel stereo	Output Load Impedance :	
Tape :	Cassette tape (C-30, 60, 90)	Line out :	50k ohms or more
Tape Speed :	4.75 cm/s	DIN (Record/Playback) :	50k ohms or more (FS, BS, AU, W)
Recording System and		Headphone :	8 ohms ~ 2k ohms
Bias Frequency :	AC bias, 85 kHz	Distortion :	1.2% (1 kHz, 160 nwb/m)
Erasing System :	AC erase	Crosstalk :	60 dB or more (at 1 kHz)
Erase Ratio :	65 dB or more (at 1 kHz)	Channel Separation :	30 dB or more (at 1 kHz)
Frequency Response :		Power Supply :	AC 100-110V/115-127V/ 200-220V/230-250V, 50/60 Hz (W)
ER/UD (NOR) :	20 Hz ~ 15 kHz 30 Hz ~ 14 kHz (± 3 dB) 30 Hz ~ 14 kHz *		AC 220V, 50 Hz (FS) AC 240V, 50 Hz (BS, AU)
EX/SX (CrO ₂) :	20 Hz ~ 16 kHz 30 Hz ~ 15 kHz (± 3 dB) 30 Hz ~ 15 kHz *	Power Consumption :	8W
ME (Metal) :	20 Hz ~ 17 kHz 30 Hz ~ 16 kHz (± 3 dB) 30 Hz ~ 16 kHz *	Dimensions :	110(H) × 435(W) × 201(D) mm
S/N (Signal to Noise Ratio) :		Weight :	2.8 kg
Dolby NR OFF :	58 dB (Weighted A, Reference 3% THD Metal Tape) 57 dB*	Motor :	Electronically controlled DC motor
Dolby NR ON :	66 dB (Weighted A, Reference 3% THD Metal Tape) 65 dB*	Heads :	Metal SL Record/playback head Three-gap ferrite Erase head

* According to DIN 45 500

DISASSEMBLY

**1. Cassette door**

Depress the eject button to open the cassette door. Lift up the cassette door to remove it.

2. Upper cover

Remove (A) (four) screws.

3. Bottom cover

Remove (B), (C) (two) screws.

4. Front panel

1) Remove two knobs (Record level).

2) Remove (C), (D), (E) (six) screws.

5. Cassette chassis

Remove (F) (two) screws.

ADJUSTMENT

Perform the following adjustments in the sequence stated after cleaning the head, pressure roller, and capstan with a head cleaning stick moistened in alcohol. Also, unless specially indicated otherwise, set the switches and controls to the positions indicated in the table.

Symbol No.	Switches and Controls	Position	Symbol No.	Switches and Controls	Position
S2	Dolby NR switch	OFF	RV1L, R	Record level controls	Max.
S4, S5	Tape select switches	ER/UD (NOR)			

* According to DIN 45 500

Item	Adjustments	Measuring Instrument and Connection			Check Tape	Mode	Adjusted Position	Adjusted Value	Remarks
		Measuring Instrument	Input Terminal	Output Terminal					
1	Tape speed	· Frequency counter	—	LINE OUT	MTT-111, 3000 Hz (3150 Hz*)	Playback	Semi-variable resistor in the motor	3000 Hz +30 Hz -10 Hz (3150 Hz*)	See Note 1
2	Head azimuth	· VTVM	—	LINE OUT	MTT-316, 12.5 kHz	Playback	Azimuth adjusting screw	Output Max.	See Note 2
3	Playback gain	· VTVM	—	LINE OUT	MTT-150, 400 Hz, 20m Maxwell	Playback	RT1L, R	775 mV	See Note 3
4	Level indicator	· VTVM	—	LINE OUT	MTT-150, 400 Hz, 20m Maxwell	Playback	RT4L, R	Level indicators indicate 0 dB	See Note 4
5	Bias leakage	Set the tape select switches (S4, S5) to CrO ₂ position.							
		· Frequency counter	—	TP2L, R	—	Record	.L2	83-85 kHz	See Note 5
6	Bias current	· VTVM	—	TP3L, R and TP4L, R	—	Record	RT5L, R	10V	See Note 6
		Set RT3L, R to the center.							
		· Audio oscillator (1kHz/13kHz, 0 dB-23 dB) · Attenuator · VTVM	LINE IN	LINE OUT	ER/UD tape	Record/playback	RT5L, R	Output difference within ±0.5 dB	See Note 7
7	Record/playback output level	· Audio oscillator (400Hz, 0dB)	LINE IN	—	ER/UD tape	Record/playback	RT3L, R	Level indicators indicate 0 dB	See Note 8
8	Dolby NR	· Audio oscillator (5 kHz) · VTVM	LINE IN	TP1L, R	—	Record	RT2	Boosted by 8dBm±0.1dB	See Note 9

Note :

- Adjust within 30 sec. after heat-running for more than 20 minutes.
- When the maximum values of both channels are different, tune to the maximum value of the L channel. In this case, the difference between the maximum values of both channels should be within 2 dB.
- Playback a test tape (MTT-150, 400 Hz 20m Maxwell) and adjust RT1L, R so that the level of LINE OUT jacks become 775mV.
- With the condition shown in item 3, adjust RT4L, R so that the level indicators indicate 0 dB.

- Set the tape select switches (S4, S5) to the CrO₂ position in the recording mode. Adjust L2 so that the bias frequency of TP2L, R becomes 83-85 kHz.
- Adjust RT5L, R so that the bias voltage between TP3L, R and TP4L, R becomes 10V in the recording mode.
- 1) Set RT3L, R to the center.
2) Feed a 1 kHz signal to the LINE IN jacks in the recording mode and adjust the audio oscillator output so that the level indicators indicate 0 dB. Then, adjust the attenuator to lower the output level by 23 dB.
3) Record the signal on ER/UD tape with the conditions of item 2), then continue to record with the audio oscillator frequency set to 13 kHz.
- Playback the recorded signal and adjust RT5L, R so

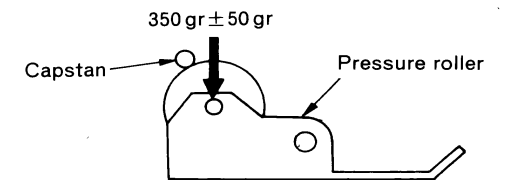
- that the output level difference between two frequencies is within ±0.5 dB measured at the LINE OUT jacks.
- 1) Feed a 400 Hz signal to the LINE IN jacks in the recording mode and adjust the audio oscillator output so that the level indicators indicate 0 dB.
2) Record the signal on ER/UD tape with the conditions of item 1).
3) Playback the recorded signal and adjust RT3L, R so that the level indicators indicate 0 dB.
- Feed a 5 kHz signal to the LINE IN jacks in the recording mode and adjust the audio oscillator output so that the level of TP1L, R becomes -30.4 dBm ±0.1 dB. Then, adjust RT2 so that the level is boosted by 8 dBm ±0.1 dB when the Dolby NR switch (S2) is set to ON.

INSPECTION OF MECHANISM

Check Item		Reference Value	Remarks
1	Pressure of pressure roller	350 ± 50 gr	Note 1
2	Torque	Take-up	33 to 65 gr-cm
		FF	70 to 120 gr-cm
		Rewind	70 to 120 gr-cm
3	Back tension	Take-up side	6 gr-cm
		Supply side	1 to 3 gr-cm
4	Flywheel thrust gap	0.05 to 0.5mm	—
5	Brake force	More than 10 gr-cm	—

Note 1. Pressure of pressure roller

Set this unit in the playback mode and press the pressure roller in the direction of the arrow using a fan type tension gauge, and measure the pressure when the pressure roller is released from the capstan.



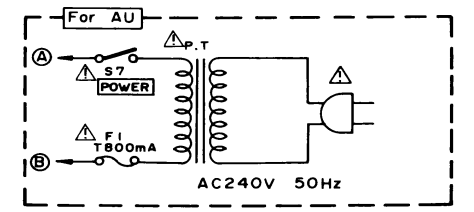
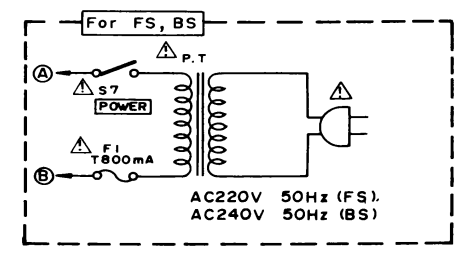
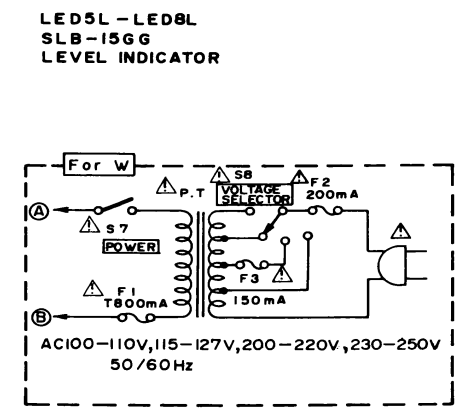
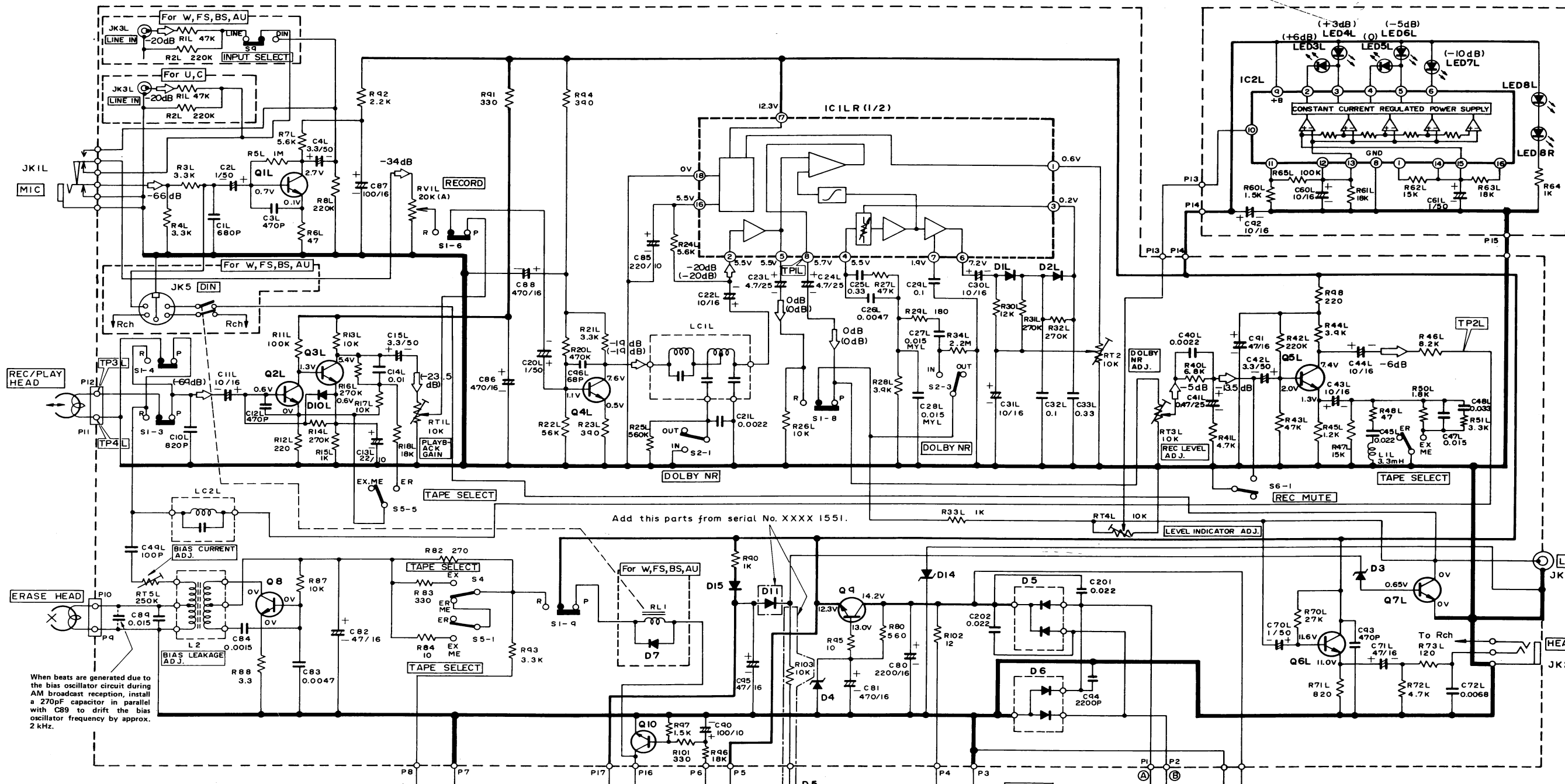
LUBRICATION

Lubricate one or two drops of oil to rotating point or lubricate grease to sliding point. Lubricate the respective parts listed once every 1000 hours or once a year under normal conditions of use. Avoid oiling them excessively, or rotation may become irregular because of oil splashes.

Lubrication		Oil or Grease
Rotary section	Metal and metal	Pan motor oil (10W-40)
	Mold and metal	Sonic slider oil (#1600)
Sliding section	Metal and metal	Hitasol (MO-138)
	Mold and mold Mold and metal	White grease (FL-LUBE-A)
Spring resonance prevention		Froil (GB-TS-1)

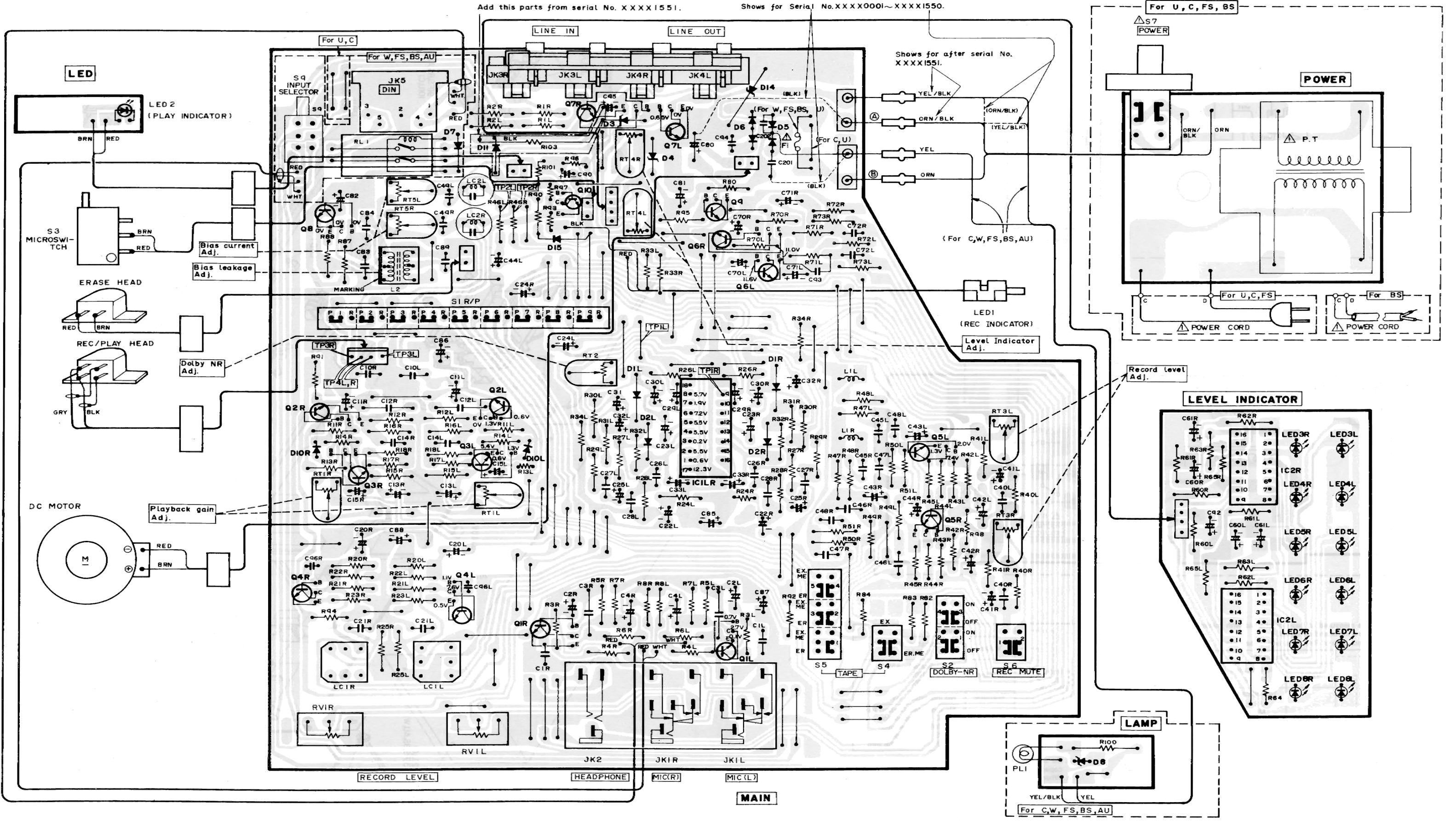
SCHEMATIC DIAGRAM

- Q1L 2SC1740LN-E MIC AMP
- Q2L 2SC1740LN-E PRE AMP
- Q3L 2SC1740LN-E PRE AMP
- Q4L 2SC1740LN-E LINE AMP
- IC1LR (1/2) HA11226 DOLBY NR
- D1L IN60 DOLBY RECT.
- D2L IS2473 DOLBY RECT.
- Q5L 2SC1740LN-E RECORDING AMP
- D4 HZ12B VOLTAGE STAB.
- Q9 2SD468C VOLTAGE STAB.
- IC2L IR2E01 METER AMP
- D3 RD5.1EB SWITCHING
- Q6L 2SC1740LN-E HEADPHONE AMP
- Q7L 2SC1740LN-E MUTING
- LED3L, LED4L SLB-15UR LEVEL INDICATOR

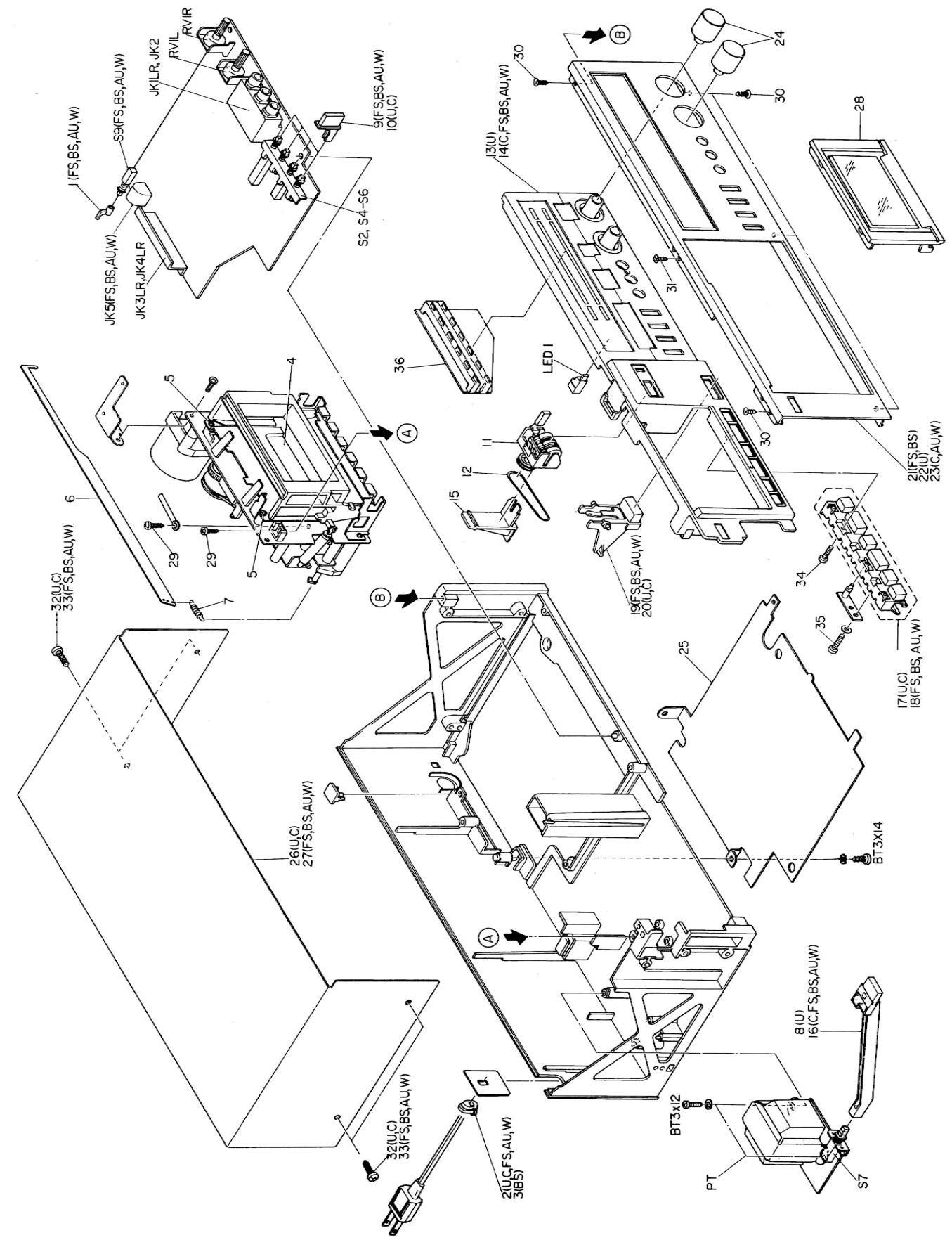
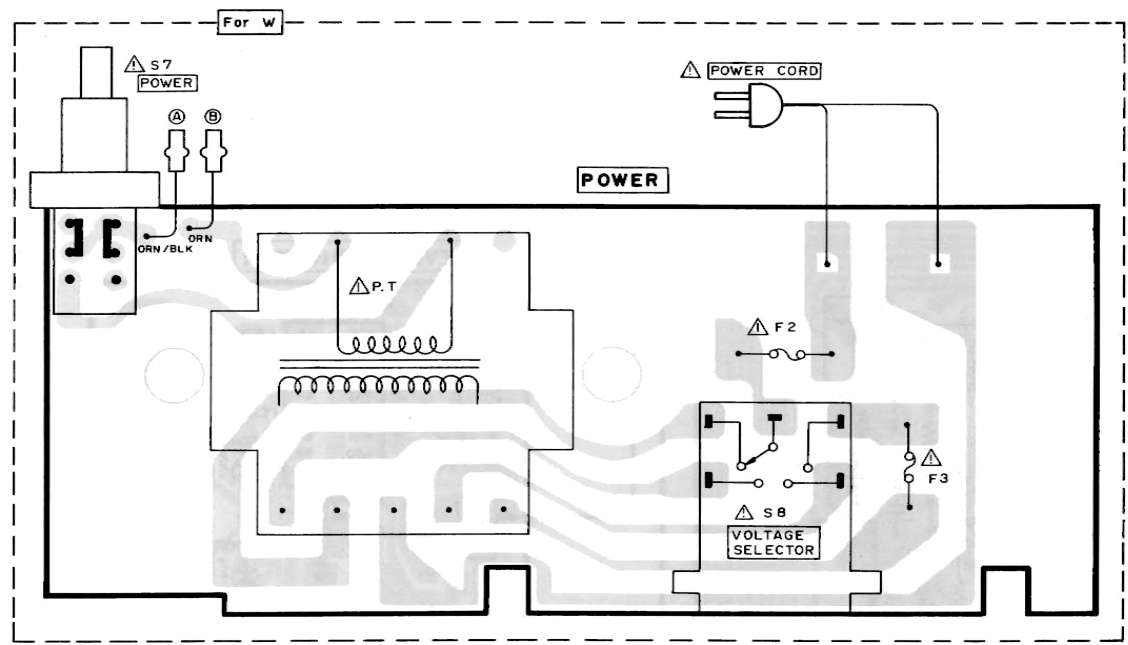
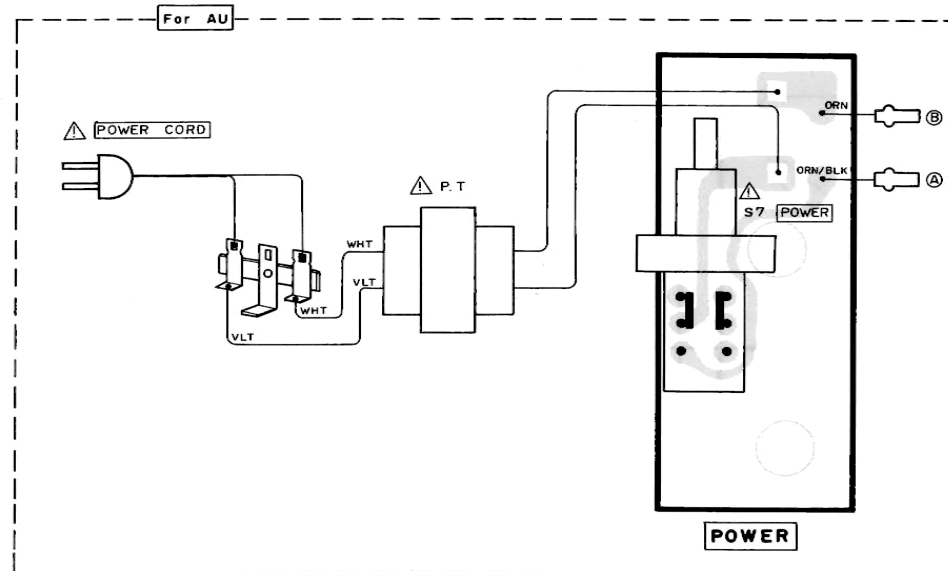


- Q8 2SD667C BIAS OSC.
- LED1 GL4PR2 "REC"
- LED2 SLG-2265 "PLAY"
- LED3 (RED)
- LED4 (GRN)
- LED5 (GRN)
- LED6 (GRN)
- LED7 (GRN)
- LED8 (GRN)
- Q10 2SC1740E SWITCHING
- D7 IS2473 REVERSE VOLTAGE PROTECTOR
- D5 SRP02-100NLF RECT.
- D6 SRN02-100NLF RECT.
- D8 HZ5 VOLTAGE STAB.
- D9 HZ12A PROT.
- D10 HZ12A PROT.
- D11 IS2076 PROT.
- D12 IS2076 PROT.
- D13 IS2076 PROT.
- D14 HZ12A PROT.

CIRCUIT BOARD DIAGRAM



EXPLODED VIEW (Cabinet)



Note

1. Voltage measured at base of chassis with minimum volume control and no signal.
2. Nomenclature of Resistors and Capacitors:

Circuit No.	Value		Tolerance	Sort	Voltage
	Value	Unit			
C101	No indicated	μ F	No indicated $\pm 10\%$	Ceramic	No indicated 50WV
	P	PF			
C102	J	$\pm 5\%$	No indicated $\pm 10\%$	Electrolytic	No indicated 50WV
	M	$\pm 20\%$		Mylar	
	Z	$\pm 80\%$		Polyester	
	D	$\pm 0.5pF$		Styrol	
	C	$\pm 0.25pF$			

Circuit No.	Value		Tolerance	Wattage	Sort
	Value	Unit			
R101	No indicated	Ω (Ohm)	No indicated $\pm 5\%$	No indicated $\frac{1}{4}W$	No indicated Carbon film
	M	1000 k Ω			
RS-1-K	K	$\pm 10\%$	No indicated $\pm 5\%$	No indicated $\frac{1}{4}W$	RC : Composition
	M	$\pm 20\%$			RW : Wire wound
					RS : Oxide metal film
					RN : Fixed metal film

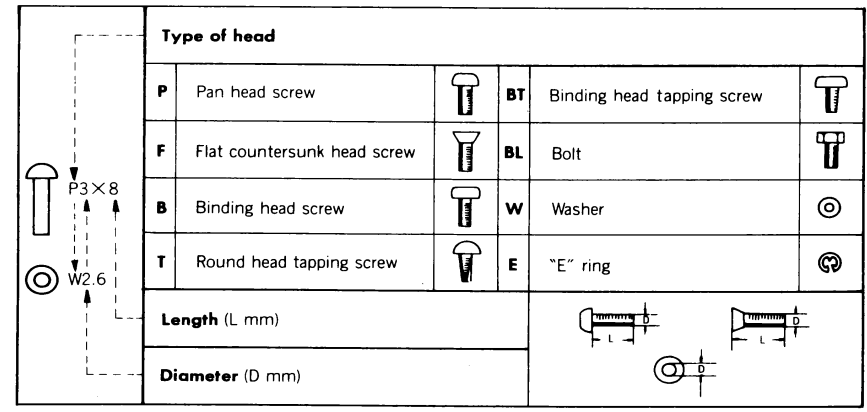
3. Be sure to make your orders of resistors and capacitors with value, voltage, tolerance and sort.
4. When replacing capacitors marked with *, use specified ones stated on parts list since required temperature characteristics.

Note : Components marked without numbers in this drawing are not specified as replacement parts.

REPLACEMENT PARTS LIST

SYMBOL-NO	P-NO	DESCRIPTION	SYMBOL-NO	P-NO	DESCRIPTION
CAPACITORS					
C 3LR	0209006	CERAMIC (RESISTOR SHAPE) 470PF+-10%	△ PT	5212594	POWER TRANSFORMER (BS)
C10LR	0209726	CERAMIC (RESISTOR SHAPE) 820PF+-10%	△ PT	5212941	POWER TRANSFORMER (W)
C12LR	0209006	CERAMIC (RESISTOR SHAPE) 470PF+-10%	COILS		
RESISTORS					
RT1LR	0151808	SEMI VARIABLE RESISTOR 10K OHM	L1LR	5150364	CHOKE COIL 3.3 MH
RT2	0151808	SEMI VARIABLE RESISTOR 10K OHM	L2	5260369	BIAS OSCILLATOR COIL
RT3LR	0151808	SEMI VARIABLE RESISTOR 10K OHM	MISCELLANEOUS		
RT4LR	0151808	SEMI VARIABLE RESISTOR 10K OHM		5658062	LED SOCKET (FOR LED1)
RT5LR	0151819	SEMI VARIABLE RESISTOR 250K OHM	△	5682001	2P TERMINAL PLATE (AU)
RV1LR	5000662	VARIABLE 20KOHM (A)	△	5746157	POWER CORD (W)
SEMI-CONDUCTORS					
D 1LR	5331622	DIODE 1N60FM-P	△	5746158	POWER CORD (FS)
D 2LR	5330574	DIODE 1S2473	△	5746342	POWER CORD (BS)
D 3	5330841	ZENER DIODE RD5.1E-B	△	5746442	POWER CORD (U+C)
D 4	5330532	DIODE SILICON HZ-12B 1.0M	△	5746571	POWER CORD (AU)
D 5	5331451	DIODE SRP02-100NLF	△ F1	5720175	FUSE 800MA (FS, BS, AU, W)
D 6	5331452	DIODE SRP02-100NLF	△ F2	0591100	FUSE 200MA (W)
D 7	5330574	DIODE 1S2473 (FS, BS, AU, W)	△ F3	5720105	FUSE 0.15A (W)
D 8	5331012	ZENER DIODE HZ5B (C, FS, BS, AU, W)	JK1LR	5679732	JACK (MIC)
D10LR	5330571	DIODE 1S2473VE	JK2	5679732	JACK (HEADPHONE)
D11	5330131	DIODE 1S2076	JK3LR	5676261	PIN JACK ASSEMBLY (LINE IN)
D14	5330531	ZENER DIODE HZ-12A	JK4LR	5676261	PIN JACK ASSEMBLY (LINE OUT)
D15	5330131	DIODE 1S2076	JK5	5651141	5P DIN SOCKET (FS, BS, AU, W)
IC 1	5350561	IC HA 11226	LC1LR	5161665	DOLBY FILTER
IC 2LR	5352401	IC IR2E01	LC2LR	5120562	TRAP COIL
LED1	5380271	LED GL-9PR2	PL1	5762035	PILOT LAMP (FOR POWER SWITCH BUTTON ILLUMINATION)(C, FS, BS, AU, W)
LED2	5380622	LED SLC22GG5	RL1	5641141	REED RELAY (FS, BS, AU, W)
LED3LR	5380551	LED SLB-15UR	S 1	5623435	SLIDE SWITCH (REC/P.B.)
LED4LR	5380551	LED SLB-15UR	S 2	5634392	PUSH SWITCH (DOLBY NR)
LED5LR	5380552	LED SLB-15GG	S 3	5633361	PUSH SWITCH (MUTING)
LED6LR	5380552	LED SLB-15GG	S 4	5634392	PUSH SWITCH (TAPE SELECTOR)
LED7LR	5380552	LED SLB-15GG	S 5	5634392	PUSH SWITCH (TAPE SELECTOR)
LED8LR	5380552	LED SLB-15GG	S 6	5634392	PUSH SWITCH (REC MUTE)
Q 1LR	5321295	TRANSISTOR 2SC1740E	△ S 7	5637038	PUSH SWITCH (POWER)
Q 2LR	5321295	TRANSISTOR 2SC1740E	△ S 8	5605121	ROTARY SWITCH (VOLTAGE SELECTOR)(W)
Q 3LR	5321295	TRANSISTOR 2SC1740E	S 9	5633311	PUSH SWITCH (LINE/DIN INPUT SELECTOR) (FS, BS, AU, W)
Q 4LR	5321295	TRANSISTOR 2SC1740E	FOR ACCESSORIES		
Q 5LR	5321295	TRANSISTOR 2SC1740E		7740321	HEAD CLEANING STICK
Q 6LR	5321295	TRANSISTOR 2SC1740E		5895501	PATCH CORD
Q 7LR	5321295	TRANSISTOR 2SC1740E		5662021	SOCKET ADAPTER (W)
Q 8	5322651	TRANSISTOR 2SD667C	MISCELLANEOUS		
Q 9	5321213	TRANSISTOR 2SD468C 190MHZ 0.9MW	1	6050541	KNOB (LINE/DIN INPUT SELECTOR) (FS, BS, AU, W)
Q10	5321295	TRANSISTOR 2SC1740E	△ 2	0043793	BUSHING (U, C, FS, AU, W)
TRANSFORMERS					
△ PT	5211932	POWER TRANSFORMER (AU)	△ 3	6711351	BUSHING (BS)
△ PT	5212592	POWER TRANSFORMER (U+C)	4	6634031	CASSETTE METAL
△ PT	5212593	POWER TRANSFORMER (FS)	5	7780263	BIND TAPPING SCREW-2.6MMDX14MM
			6	7333333	RECORD PLATE
			7	6302745	SPRING FOR RECORD PLATE
			8	6763411	PUSH BUTTON ASSEMBLY (POWER)(U)

SYMBOL-NO	P-NO	DESCRIPTION	SYMBOL-NO	P-NO	DESCRIPTION
MISCELLANEOUS					
9	6053613	PUSH BUTTON (REC MUTE, DOLBY NR, TAPE SELECTOR) (FS, BS, AU, W)	23	6224123	FRONT PANEL ASSEMBLY (C, AU, W)
10	6053614	PUSH BUTTON (REC MUTE, DOLBY NR, TAPE SELECTOR) (U, C)	24	6289281	KNOB ASSEMBLY (RECORD LEVEL)
11	5559481	COUNTER	25	6043352	BOTTOM COVER
12	6354601	BELT	26	6043335	UPPER COVER (U+C)
13	6763251	FRONT FRAME ASSEMBLY (U)	27	6043336	UPPER COVER (FS, BS, AU, W)
14	6763252	FRONT FRAME ASSEMBLY (C, FS, BS, AU, W)	28	6093033	CASSETTE DOOR
15	6763241	COUNTER HOLDER	29	8699412	BIND TAPPING SCREW-3MMDX12MM (BLACK)
16	6764151	PUSH BUTTON ASSEMBLY (POWER) (C, FS, BS, AU, W)	30	7781581	BT FLAT SCREW-3MMDX10MM
17	6765821	FUNCTION BUTTON ASSEMBLY (U+C)	31	7781582	FALT SCREW-3MMDX10MM (BLACK)
18	6763464	FUNCTION BUTTON ASSEMBLY (FS, BS, AU, W)	32	8698410	BT BIND SCREW-3MMDX10MM (U+C)
19	6053601	EJECT BUTTON (FS, BS, AU, W)	33	8699410	BT BIND HEAD SCREW-3MMDX10MM (BLACK) (FS, BS, AU, W)
20	6060091	EJECT BUTTON ASSEMBLY (U, C)	34	7780263	BIND TAPPING SCREW-2.6MMDX14MM
21	6224124	FRONT PANEL ASSEMBLY (FS+BS)	35	8691312	BT BIND SCREW-2.6MMDX12MM
22	6224122	FRONT PANEL ASSEMBLY (U)	36	6763271	LED HOLDER



When ordering hardware excluding stated on these lists, be sure to make your orders with type and size.

**HITACHI SALES CORPORATION OF AMERICA****Eastern Regional Office**

1200 Wall Street West, Lyndhurst, New Jersey 07071
Tel. 201-935-8980

Mid-Western Regional Office

1400 Morse Ave., Elk Grove Village, Ill. 60007
Tel. 312-593-1550

Southern Regional Office

510 Plaza Drive College Park, Georgia 30349
Tel. 404-763-0360

Western Regional Office

401 West Artesia Boulevard, Compton, California 90220
Tel. 213-537-8383

HITACHI SALES CORPORATION OF HAWAII, INC

3219 Koapaka Street, Honolulu, Hawaii 96819, U.S.A.
Tel. 808-836-3621

HITACHI SALES CORP. OF CANADA Ltd.

3300 Trans Canada Highway Pointe Claire, Quebec, H9R1B1, Canada
Tel. 514-697-9150

HITACHI SALES EUROPA GmbH

2 Hamburg 54, Kleine Bahnstraße 8, West Germany
Tel. 850 60 71-75

HITACHI SALES (U.K.) Ltd.

Hitachi House, Station Road, Hayes, Middlesex UB3 4DR, England
Tel. 01-848-8787 (Service Centre : 01-848-3551)

HITACHI SALES SCANDINAVIA AB

Rissneleden 8, Sundbyberg, Box 7138, S-172-07 Sundbyberg 7,
Sweden
Tel. 08-98 52 80

HITACHI SALES NORWAY A/S

Oerebekk 1620 Gressvik P.O. Box 46 N-1601 Fredrikstad, Norway
Tel. 032-28050

SUOMEN HITACHI OY

Box 151, SF-15100 Lahti 10, Finland
Tel. Lahti 44 241

HITACHI SALES A/S

Kuldysen 13, DK-2630 Taastrup, Denmark
Tel. 02-999200

HITACHI SALES A.G.

5600 Lenzburg, Switzerland
Tel. 064-513621

HITACHI-FRANCE (Radio-Télévision Electro-Ménager) S.A.

9, Boulevard Ney 75018, Paris, France
Tel. 201-25-00

HITACHI SALES WARENHANDELS GMBH

A-1180/Wien, Kreuzgasse 27
Tel. (0043222) 439367/8

HITACHI SALES AUSTRALIA Pty Ltd.

153 Keys Road, Moorabbin, Victoria 3189 Australia
Tel. 95-8722

HITACHI Ltd. TOKYO JAPAN

Head Office : 5-1, 1-chome, Marunouchi, Chiyoda-ku, Tokyo
Tel. Tokyo (212) 1111 (80 lines)

Cable Address : "HITACHY" TOKYO

Codes : All Codes Used

SUPPLEMENT

RECEIVED NOV 1 2 1982

Part of the replacement parts list shown in the previously issued D-E25 Service Manual (No. 1445E) is changed as follows.

SYMBOL NO.	AFTER CHANGE		BEFORE CHANGE	
	P-NO.	DESCRIPTION	P-NO.	DESCRIPTION
MISCELLANEOUS:				
△	5746443	POWER CORD (U, C)	5746442	POWER CORD (U, C)
MISCELLANEOUS:				
5	0678316	DT SCREW - 2.6MMD x 16 MM	7780263	BIND TAPPING SCREW - 2.6MMD x 14MM
7	6302746	SPRING FOR RECORD PLATE	6302745	SPRING FOR RECORD PLATE
13	6763253	FRONT FRAME ASSEMBLY (U)	6763251	FRONT FRAME ASSEMBLY (U)
14	6763254	FRONT FRAME ASSEMBLY (C, FS, BS, AU, W)	6763252	FRONT FRAME ASSEMBLY (C, FS, BS, AU, W)
16	6764154	PUSH BUTTON ASSEMBLY (POWER) [C, FS, BS, AU, W]	6764151	PUSH BUTTON ASSEMBLY (POWER) [C, FS, BS, AU, W]
17	6765823	FUNCTION BUTTON ASSEMBLY (U, C)	6765821	FUNCTION BUTTON ASSEMBLY (U, C)
18	6765823	FUNCTION BUTTON ASSEMBLY (FS, BS, AU, W)	6763464	FUNCTION BUTTON ASSEMBLY (FS, BS, AU, W)
19	6060091	EJECT BUTTON ASSEMBLY (FS, BS, AU, W)	6053601	EJECT BUTTON (FS, BS, AU, W)
21	6224128	FRONT PANEL ASSEMBLY (FS, BS)	6224124	FRONT PANEL ASSEMBLY (FS, BS)
22	6224126	FRONT PANEL ASSEMBLY (U)	6224122	FRONT PANEL ASSEMBLY (U)
23	6224127	FRONT PANEL ASSEMBLY (C, AU, W)	6224123	FRONT PANEL ASSEMBLY (C, AU, W)
26	6043337	UPPER COVER (U, C)	6043335	UPPER COVER (U, C)
27	6043338	UPPER COVER (FS, BS, AU, W)	6043336	UPPER COVER (FS, BS, AU, W)
32	8699410	BT BIND SCREW - 3MMD x 10MM (BLACK) [U, C]	8698410	BT BIND SCREW - 3MMD x 10MM (U, C)
33	8698410	BT BIND SCREW - 3MMD x 10MM (FS, BS, AU, W)	8699410	BT BIND SCREW - 3MMD x 10MM (BLACK) [FS, BS, AU, W]

*A unit with the black cassette metal, cassette door, cassette holder and front frame assembly of Model D-E25 is marketed this time. Be careful during repair because the black unit differs in the parts listed below.

SYMBOL NO.	P-NO.	DESCRIPTION
MISCELLANEOUS:		
4	6634213	CASSETTE METAL (BLACK)
13	6766811	FRONT FRAME ASS'Y (BLACK) [U]
14	6766812	FRONT FRAME ASS'Y (BLACK) [C, FS, BS, AU, W]
28	6093321	CASSETTE DOOR ASS'Y (BLACK)
ML-1 MECHANISM (Service Manual No.1473)		
92	6763103	CASSETTE HOLDER (BLACK)

SPECIFICATIONS AND PARTS ARE SUBJECT TO CHANGE FOR IMPROVEMENT

STEREO CASSETTE TAPE DECK

March 1981
TOKAI WORKS



HITACHI

HITACHI SALES CORPORATION OF AMERICA

Eastern Regional Office

1200 Wall Street West, Lyndhurst, New Jersey 07071

Tel. 201-935-8980

Mid-Western Regional Office

1400 Morse Ave., Elk Grove Village, Ill. 60007

Tel. 312-593-1550

Southern Regional Office

510 Plaza Drive College Park, Georgia 30349

Tel. 404-763-0360

Western Regional Office

401 West Artesia Boulevard, Compton, California 90220

Tel. 213-537-8383

HITACHI SALES CORPORATION OF HAWAII, INC

3219 Koapaka Street, Honolulu, Hawaii 96819, U.S.A.

Tel. 808-836-3621

HITACHI SALES CORP. OF CANADA Ltd.

3300 Trans Canada Highway Pointe Claire, Quebec, H9R1B1, Canada

Tel. 514-697-9150

HITACHI SALES EUROPA GmbH

2 Hamburg 54, Kleine Bahnstraße 8, West Germany

Tel. 850 60 71-75

HITACHI SALES (U.K.) Ltd.

Hitachi House, Station Road, Hayes, Middlesex UB3 4DR, England

Tel. 01-848-8787 (Service Centre : 01-848-3551)

HITACHI SALES SCANDINAVIA AB

Rissneleden 8, Sundbyberg, Box 7138, S-172-07 Sundbyberg 7, Sweden

Tel. 08-98 52 80

HITACHI SALES NORWAY A/S

Oerebekk 1620 Gressvik P.O. Box 46 N-1601 Fredrikstad, Norway

Tel. 032-28050

SUOMEN HITACHI OY

Box 151, SF-15100 Lahti 10, Finland

Tel. Lahti 44 241

HITACHI SALES A/S

Kuldysen 13, DK-2630 Taastrup, Denmark

Tel. 02-999200

HITACHI SALES A.G.

5600 Lenzburg, Switzerland

Tel. 064-513621

HITACHI-FRANCE (Radio-Télévision Electro-Ménager) S.A.

9, Boulevard Ney 75018, Paris, France

Tel. 201-25-00

HITACHI SALES WARENHANDELS GMBH

A-1180/Wien, Kreuzgasse 27

Tel. (0043222) 439367/8

HITACHI SALES AUSTRALIA Pty Ltd.

153 Keys Road, Moorabbin, Victoria 3189 Australia

Tel. 95-8722

HITACHI Ltd. TOKYO JAPAN

Head Office : 5-1, 1-chome, Marunouchi, Chiyoda-ku, Tokyo

Tel. Tokyo (212) 1111 (80 lines)

Cable Address : "HITACHY" TOKYO

Codes : All Codes Used

D-E25 TK No. 1543E TOKAI

U,C,FS,BS,AU,W